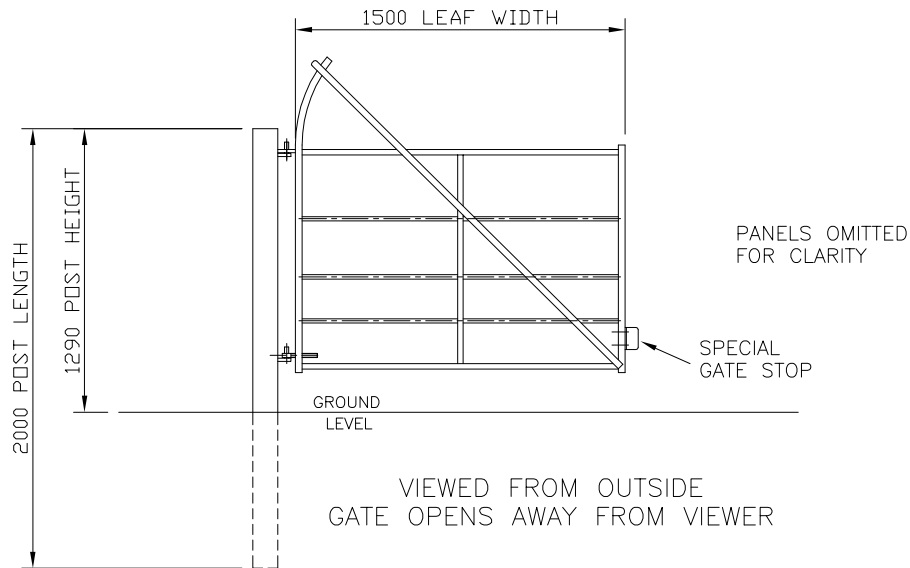
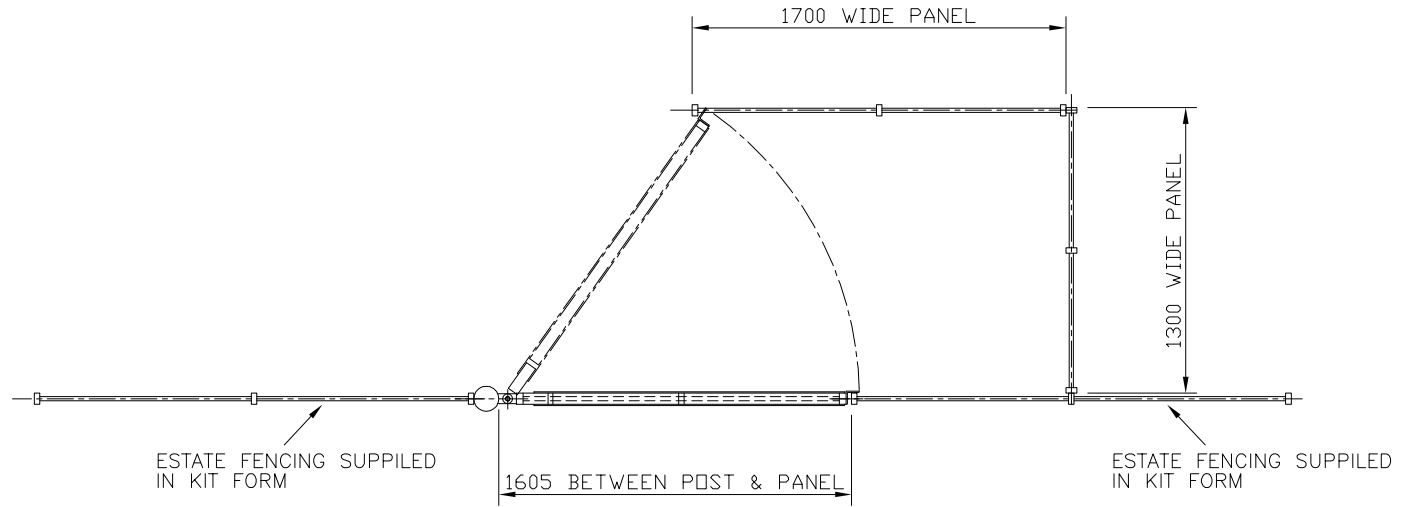


DO NOT SCALE – IF IN DOUBT ASK



NOTES

ALL DIMENSIONS ARE IN mm (U.N.O)

Material

HANG POST – $\phi 114 \times 3.2$ CHS
 RAILS – 50 x 25 RHS
 & $\phi 19$ CHS
 STILES – 50 x 30 RHS
 PALES – $\phi 19$ CHS

Finish

GALVANISED TO BS EN ISO 1461:1999
 POWDER COATED IF REQUIRED

FOR FENCE PANELS SEE Drg J4/01030

Jacksons
FINE FENCING

Stowting Common
 Near Ashford,
 KENT. TN25 6BN
 Telephone : 01233 750393
 Fax: 01233 750403
 Int. Tel : +44 (0)1233 750393

- ③ 06/03/10
- ② 05/01/06
- ① 14/10/05
- ⑥ 07/03/05

NOTES UPDATED
 NOTES UPDATED
 HANG STILE TOP
 ORIGINAL ISSUE

Drawn Y HALL

Date 07/03/05

Checked

Size
 A3

Scale 1:25
 u.o.s

TITLE

1.5m Wide Estate Kissing
 Gate (Wheelchair Friendly)

CUSTOMER

ACK No.

Drawing No.

01 J4/02051
 Sheet 10 of 12