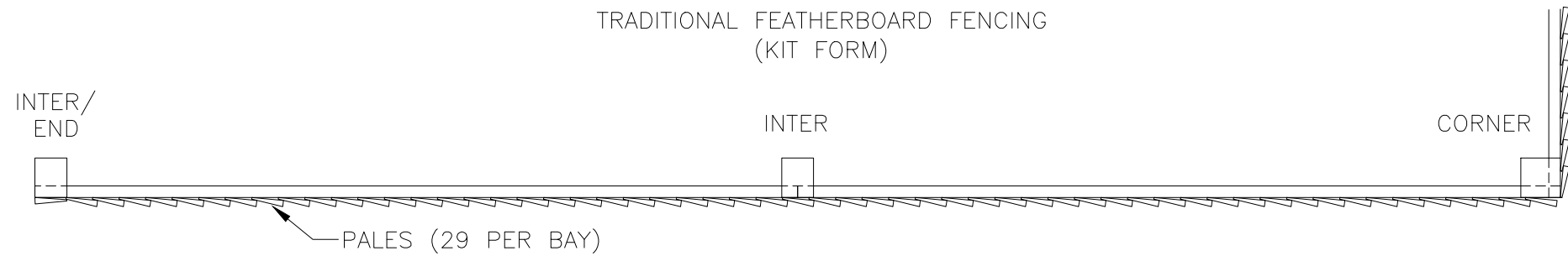


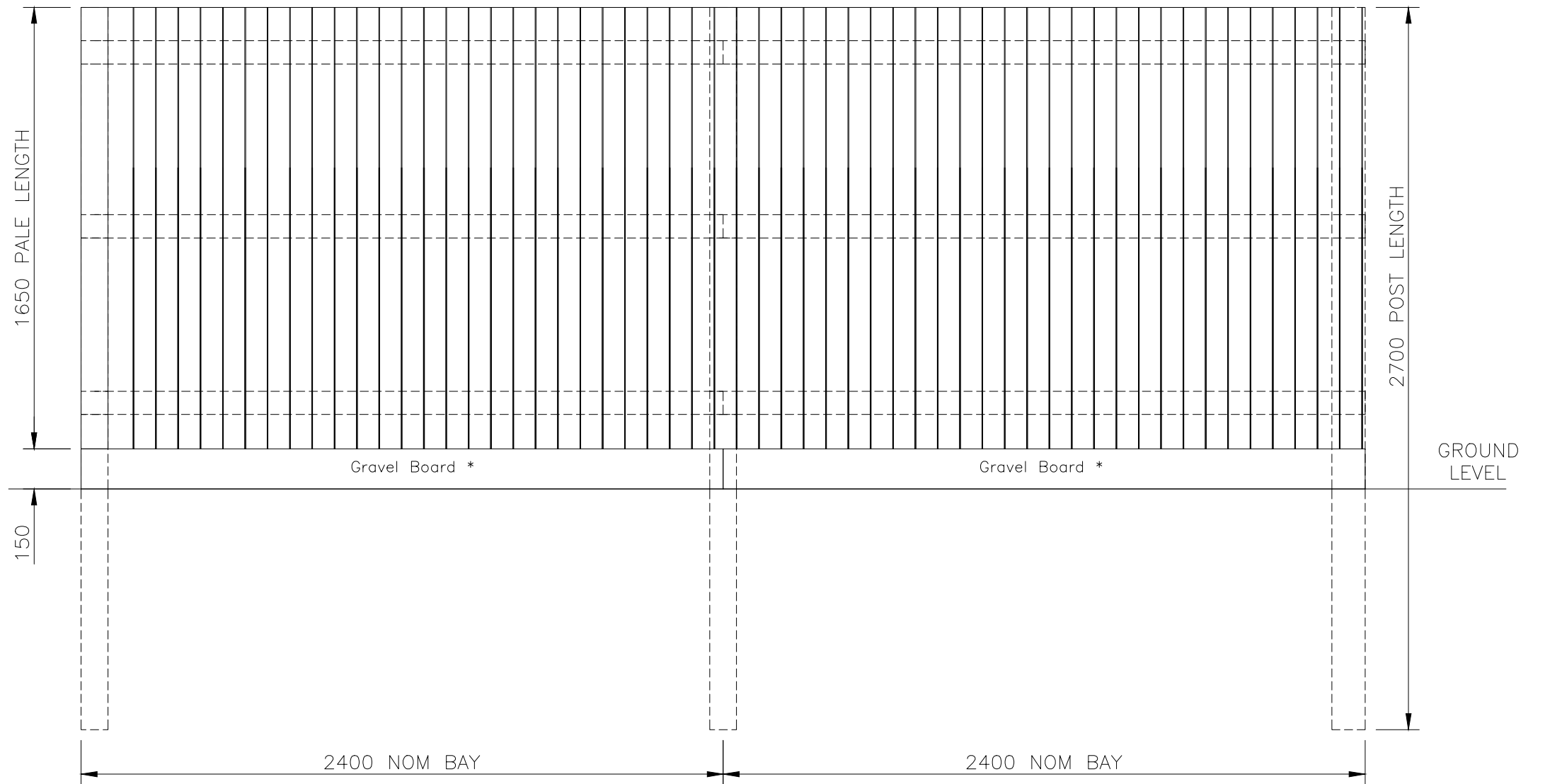
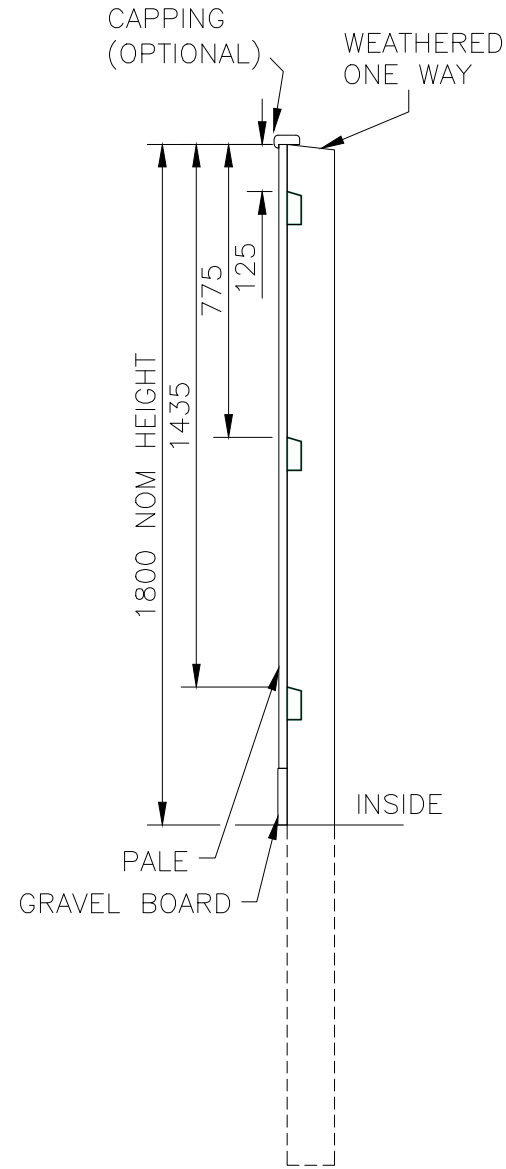
DO NOT SCALE – IF IN DOUBT ASK

* TO MEET THE CONDITIONS OF THE 25-YEAR JAKCURE GUARANTEE, GRAVEL BOARDS ARE REQUIRED WHERE PANELS ARE IN CONTACT WITH THE GROUND

TRADITIONAL FEATHERBOARD FENCING (KIT FORM)



CAPPING OMITTED IN THESE VIEWS



Jacksons Fencing

Stowting Common, Near Ashford,
Kent. TN25 6BN
Telephone: 01233 750393
Fax: 01233 750403
www.jacksons-fencing.co.uk
www.jacksons-security.co.uk

This Drawing Is The Property Of H.S. Jackson & Son (Fencing) Ltd, And May Not Be Copied Or Reproduced In Any Way Without Prior Written Permission.

- ② 15/11/2018 RAIL SPACINGS ADDED
- ① 12/03/18 Guarantee note added
- ① 21/03/16 Original Issue

Drawn LA	
Date	21/03/16
Checked	
Size	Scale 1:20 U.O.S
A3	

TITLE TRADITIONAL FEATHERBOARD FENCING
NOM 1.8mH – SALES DRAWING

CUSTOMER
ACK No.

Drawing No.
J7/01279
Sheet 3